

## MICRO PUSH WIRE® connector for junction boxes; 8-conductor terminal block

Item No.: 243-308



MICRO PUSH WIRE® connector for junction boxes; 8-conductor terminal block

### Marking

RoHS ✓  
Compliant

### Business data

Supplier	WAGO
Item no.	243-308
GTIN / EAN	4044918502689
Content	1
Order amount	50
Customer item number	

### Notes

Safety information 1: When using conductors of exclusively the same diameter, 0.5 mm/AWG 24 or 1.0 mm/AWG 18 diameters are also possible.

### Technical data

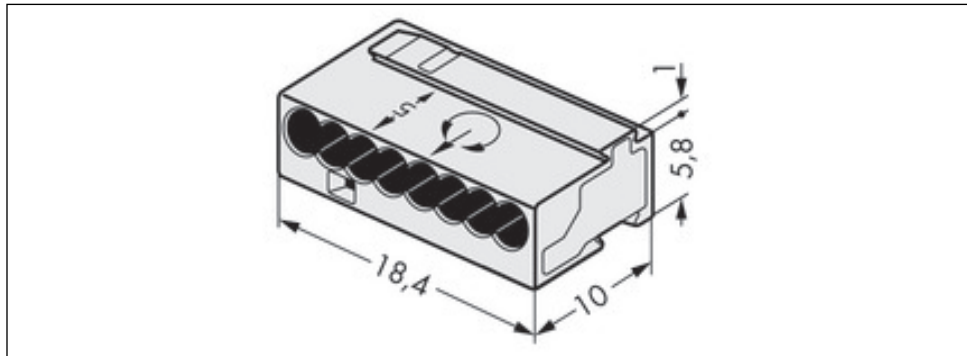
#### Miscellaneous

Total number of connection points	8
Total number of potentials	1
Color	light gray
Pollution degree (1)	2
Rated voltage EN (1) [V]	100 [V]
Rated surge voltage (1) [kV]	1.5 [kV]
Nominal current [A]	6 [A]
Connection technology (1)	PUSH WIRE®

<b>Technical data</b>	
<i>Solid sizes 1</i>	<i>22 ... 20 AWG</i>
<i>Strip length 1</i>	<i>5 ... 6 mm / 0.2 ... 0.24 in</i>
<i>Conductor diameter min. (1) [mm]</i>	<i>0.6 [mm]</i>
<i>Conductor diameter max. (1) [mm]</i>	<i>0.8 [mm]</i>
<i>Strip length from 1 [mm]</i>	<i>5 [mm]</i>
<i>Strip length up to (1) [mm]</i>	<i>6 [mm]</i>
<i>Type of wiring</i>	<i>Side-entry wiring</i>
<i>Fire load [MJ]</i>	<i>0.019 [MJ]</i>
<i>Weight [g]</i>	<i>1.44 [g]</i>
<i>Width</i>	<i>18.4 mm / 0.724 in</i>
<i>Height</i>	<i>6.8 mm / 0.268 in</i>
<i>Length</i>	<i>10 mm / 0.394 in</i>

Images & drawings





### Address

WAGO Kontakttechnik GmbH & Co. KG

Hansastr. 27

32423 Minden

Telefon: 0571/887-0

Fax: 0571/887-169

<http://www.wago.com>

© WAGO Kontakttechnik GmbH & Co. KG

Technische Änderungen und Irrtümer vorbehalten.