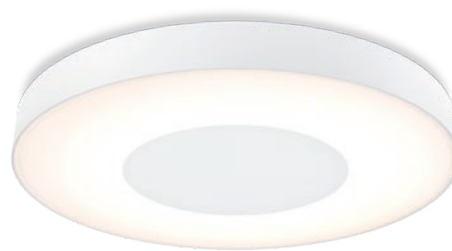


Ceiling luminaire

CCL-01 & CCL-01-S

CCL-01 is a smart LED ceiling lamp with tunable white and a built-in dimmer function. No external dimmer is to be used. It can be grouped wirelessly and controlled through the app, other products from Plejd, or wired push button. The product can also be controlled automatically with built-in time functions such as astro/time schedule. CCL-01 has adjustable color temperature and can be set to a fixed temperature or dim to warm. CCL-01-S has a motion sensor with support for orientation light and day light sensing.



2,000
lm

IP44
IP20



2,200-
4,000 K



Light data

| | |
|---------------|----------------------------|
| Luminous flux | 2,000 lm |
| Tunable white | 2,200–4,000 K |
| Beam angle | 120° |
| Dimming | 0.1–100 % |
| Ra | 93 |
| SDCM | 3 |
| L70/B50 | 100,000 h. Ta 35 °C |
| Light source | LED (non user replaceable) |

Technical data

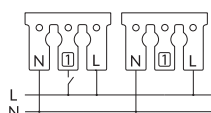
| | |
|---------------------------------|-----------------------------|
| IP rating ceiling | IP44 |
| IP rating wall | IP20 |
| Protection class | Class II |
| Impact resistance | IK07 |
| Protection | Overtemperature protection |
| Operating environment | Indoor |
| Permissible ambient temperature | -25 to +35 °C |
| Battery backup | Battery life up to 10 years |
| Maximum power consumption | 22 W |
| Energy efficiency class | F |
| Mains electricity | 230 V~ 50 Hz |
| Power factor (PF) | 0.9 |
| Standby power | Psb, Pnet: 0.20 W |
| Maximum bypass current | 16 A |
| Cable area | 0.75–2.5 mm ² |

Radio

| | |
|---------------------------------------|---|
| 2.4 GHz mesh Bluetooth® <10 dBm | Radio range: Approx. 10 m indoors. The Plejd mesh technology extends the range by allowing the units to communicate with each other. |
|---------------------------------------|---|

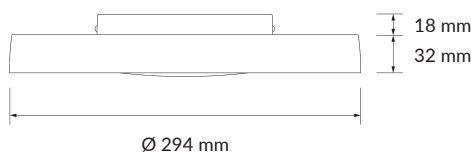
Article list

| | |
|------------|-------------------------|
| CCL-01-W | White (RAL 9003) |
| CCL-01-B | Black (RAL 7016) |
| CCL-01-S-W | White (RAL 9003) Sensor |
| CCL-01-S-B | Black (RAL 7016) Sensor |

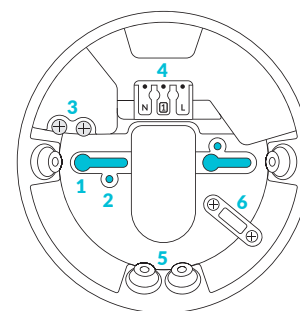


Luminaire 1 Luminaire 2

NOTE! Do not connect input 1 between several products. Use the app to configure the control and connection of several devices in a group.



- Holes for screw mounting, 52–80 mm (for example with ceiling junction box).
- Hole for screw mounting, 60 mm (with, for example, appliance box).
- Two M4 screws are included to be used with ceiling junction box.
- Connection terminal N \bar{L} .
- Cable grommets.
- Strain relief for connection with flexible cable.



CCL-01-S

| | |
|--------------------|--|
| Motion sensor* | PIR Sensor (Infrared sensor) HF Sensor (Doppler radar) |
| Range (PIR Sensor) | Mounted at 2.5 m: 5 m detection radius (up to 10 m tangential movement) Mounted at 3 m: 6 m detection radius (up to 11 m tangential movement) (According to IEC 63180) |
| Range (HF Sensor) | Adjustable up to 10 m (minor motion). |
| Daylight Sensor | Activate only in low light. |
| Radio | 5.8 GHz radar |

*The sensors work together for improved motion detection.

