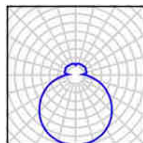
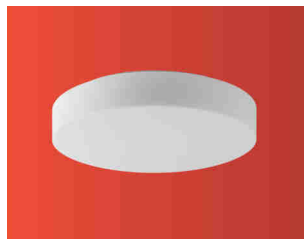


ELSA 1,2,3,4,5,16



TECHNICAL DATA

Light source	LED module Osmont L12B, L12C, L15C, L16C, L18C, L19C, L43C	incandescent lamp
Chromacity temperature	3000K, 4000K	by source
CRI	3000K Ra>80, 4000K Ra>80	by source
Power source	Tridonic	-
Lifetime of LED	50 000 hod / L80B10 (ambient temperature 25°C)	by source
Energy class	D	by source
Photobiological safety of lamps by EN 62471 (Blue light hazard)	safe (Risk group – 0)	by source
Input voltage	230V	
IP	IP44	
Ambient temperature	from -20°C to +30°C	
Warranty	5 years	
Fixture	metal	
Color of fixture	white	
Shade	three layers glass with matt surface	
Shade attachment	bayonet, with folding holders only ELSA 16	
Mounting	wall, ceiling	
Applications	housing constructions (rooms, corridors), cultural premises	

VARIANTS

LED:

	Type	Input [W]	Luminous flux LED [lm]		Luminous flux of luminaire [lm]		Possibility		
			3000K	4000K	3000K	4000K	Senzor (HF)	3000K	4000K
ELSA 1	LED-1L12C03BT12/023_000	9	1080	1140	760	800	•	•	-
	LED-1L12B07BT12/023_000	11	1290	1350	900	950	•	•	-
ELSA 2	LED-1L18C02BT13/025_000	11	1450	1530	1060	1120	•	•	•
	LED-1L18C03BT13/025_000	15	1950	2050	1420	1500	•	•	•
ELSA 3	LED-1L15C05BT14/027_000	15	2040	2150	1430	1510	•	•	•
	LED-1L15C07BT14/027_000	21	2770	2920	1940	2040	•	•	•
ELSA 4	LED-1L16C05BT15/029_000	20	2720	2870	1820	1920	•	•	•
	LED-1L16C07BT15/029_000	28	3690	3890	2470	2610	•	•	•
ELSA 5	LED-1L19C05BT16/626_000	26	3510	3700	2280	2400	•	•	•
	LED-1L19C07BT16/626_000	37	4770	5030	3100	3270	•	•	•
ELSA 16	LED-2L43C07KV910/637_000	35	5050	5330	3280	3520	-	•	-
	LED-2L43C10KV910/637_000	52	7250	7640	4710	5270	-	•	-

.000 - 3000K or 4000K

LED nouzové a nouzové kombinované:

	Type	Input [W]	Luminous flux LED [lm]		Luminous flux of luminaire [lm]		Luminous flux LED in emergency mode		T [hrs]	Type of battery
			3000K	4000K	3000K	4000K	[%]	[lm]		
ELSA 1	LED-NZ1W/023 4000	1	-	150	-	110	100	150	3	Ni-Cd (3,6V/1,5Ah)
ELSA 2	LED-1L18C02BT13/025/NK1W_000	11	1450	1530	1060	1120	10	150	3	Ni-Cd (3,6V/1,5Ah)
	LED-1L18C03BT13/025/NK1W_000	15	1950	2050	1420	1500	8	150	3	Ni-Cd (3,6V/1,5Ah)
ELSA 3	LED-1L15C05BT14/027/NK1W_000	15	2040	2150	1430	1510	7	150	3	Ni-Cd (3,6V/1,5Ah)
	LED-1L15C07BT14/027/NK1W_000	21	2770	2920	1940	2040	6	150	3	Ni-Cd (3,6V/1,5Ah)
ELSA 4	LED-1L16C05BT15/029/NK1W_000	20	2720	2870	1820	1920	5	150	3	Ni-Cd (3,6V/1,5Ah)
	LED-1L16C07BT15/029/NK1W_000	28	3690	3890	2470	2610	4	150	3	Ni-Cd (3,6V/1,5Ah)
ELSA 5	LED-1L19C05BT16/626/NK1W_000	26	3510	3700	2280	2400	4	150	3	Ni-Cd (3,6V/1,5Ah)
	LED-1L19C07BT16/626/NK1W_000	37	4770	5030	3100	3270	3	150	3	Ni-Cd (3,6V/1,5Ah)
ELSA 16	LED-2L43C07KV910/637/NK1W_000	35	5050	5330	3280	3520	3	150	3	Ni-Cd (3,6V/1,5Ah)
	LED-2L43C10KV910/637/NK1W_000	52	7250	7640	4710	5270	2	150	3	Ni-Cd (3,6V/1,5Ah)

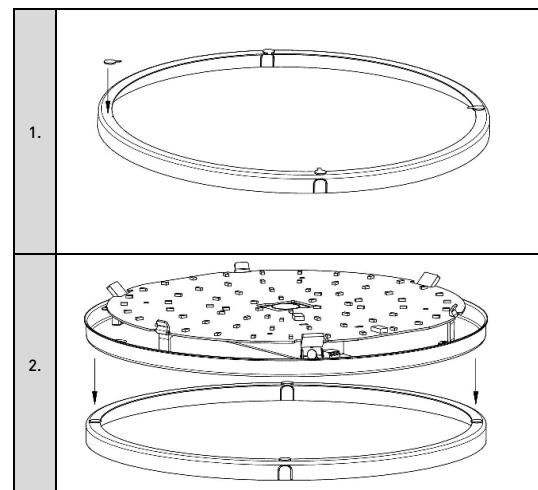
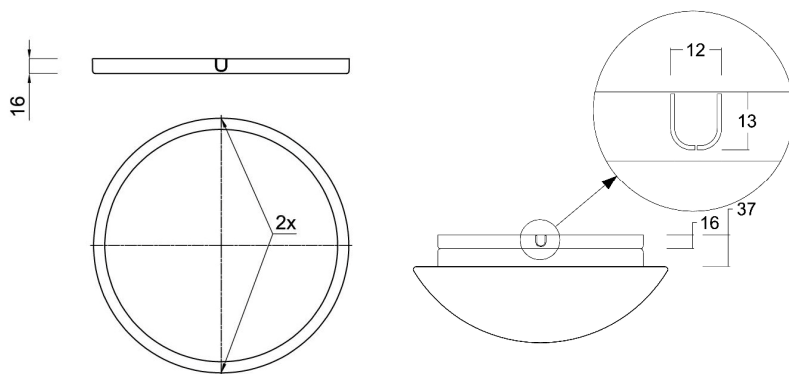
.000 - 3000K or 4000K

STANDARD:

	Type	Input [W]	Socket	Possibility Sensor (HF)
ELSA 1	IN-12BT12/023	75	E27	-
ELSA 2	IN-12BT13/025	100	E27	• (1x60W)
	IN-22BT13/025	2x60	2xE27	-
ELSA 3	IN-12BT14/027	100	E27	• (1x75W)
	IN-22BT14/027	2x75	2xE27	-
ELSA 4	IN-22BT15/029	2x75	2xE27	• (2x60W)
ELSA 5	IN-32BT16/626	3x60	3xE27	-
ELSA 16	IN-32KV910/637	3x75	3xE27	-

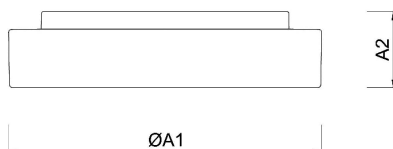
BASE

FOR SIDE SUPPLY:



DIMENSIONS

DIMENSIONS OF LUMINAIRE [mm]:



	ØA1	A2
ELSA 1	250	84
ELSA 2	300	86
ELSA 3	360	88
ELSA 4	420	90
ELSA 5	500	92
ELSA 16	590	99

MOUNTING DIMENSIONS [mm]:

ELSA 1		
ELSA 2		

<p>ELSA 3</p>	
<p>ELSA 4</p>	
<p>ELSA 5</p>	
<p>ELSA 16</p>	