



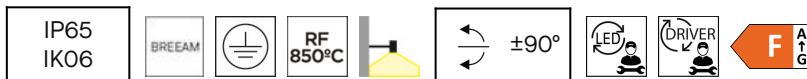
## Suv

LedsC4 Team

Spotlight IP65 Suv LED 6.6 LED warm-white 3000K ON-OFF Urban grey 518lm

### Technical features

- Luminaire total power: 6.6W
- Real lumens: 518
- Real lm/W: 78
- Correlated Colour Temperature (CCT): LED warm-white 3000K
- Lens / reflector angle: MEDIUM 23°
- UGR: <=16
- Structure material: Aluminium
- Structure finish: Urban grey
- Diffuser material: Glass
- Diffuser finish: Transparent
- Voltage / frequency: 100-240V/50-60Hz
- Dimming protocol: ON-OFF
- Power Factor: 0.50
- Useful life: 50,000h L80B20
- Warranty: 5 años
- Resistant to marine environments: Yes
- Easily recyclable luminaire



### Luminotechnic features

- CRI: 80
- MacAdam steps: 2
- Photobiological risk: RG1
- UGR crosswise: 12.7
- UGR lengthwise: 12.7

Lampholder	Quantity	Light source power (W)	Correlated Colour Temperature (CCT)
LED	1	5.4W	LED warm-white 3000K

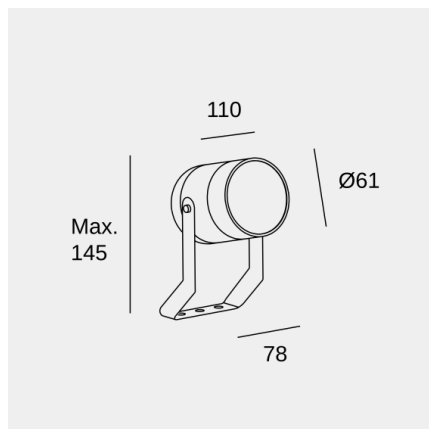


Image may not match reference. LedsC4 reserves the right to amend any of the product's components. The data related to flux, power and colour temperature may be subject to changes made by the manufacturer.

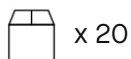


## Suv

LedsC4 Team

Spotlight IP65 Suv LED 6.6 LED warm-white 3000K ON-OFF Urban grey 518lm

## Logistics



x 20

Net weight (kg): 0.42

Packaged weight (kg): 0.5

Packaging: 85mm x 85mm x 165mm

Image may not match reference. LedsC4 reserves the right to amend any of the product's components. The data related to flux, power and colour temperature may be subject to changes made by the manufacturer.



## SUV

LedsC4 Team

Spotlight IP65 Suv LED 6.6 LED warm-white 3000K ON-OFF Urban grey 518lm

## Accessories included



Spiked post

## Optional accessories



71-E112-00-00

IP68 anti-condensation connector with two inlets

Structure material: Technopolymer

Dimensions: 23 x 88 x NA

Net weight (kg): 0.04



71-E122-00-00

IP68 anti-condensation connector with four inlets

Structure material: Technopolymer

Dimensions: 54 x 88 x 28

Net weight (kg): 0.09



71-9199-05-05

IP68 connector with six inlets

Structure material:

Dimensions: NA x NA x NA

Net weight (kg): 0.26



71-9262-05-05

IP67 connector with three inlets

Structure material:

Dimensions: NA x NA x NA

Net weight (kg): 0.09

Image may not match reference. LedsC4 reserves the right to amend any of the product's components. The data related to flux, power and colour temperature may be subject to changes made by the manufacturer.

# Optional accessories



71-E512-00-00

Structure material: Nylon  
Dimensions: 24 x 71 x NA



71-E513-00-00

Structure material: Nylon  
Dimensions: 25 x 102 x 65

---

Image may not match reference. LedsC4 reserves the right to amend any of the product's components. The data related to flux, power and colour temperature may be subject to changes made by the manufacturer.