

Data sheet

Commercial Art.No.: 93.420.0653.0

distributor BST14i2V 2P1T GN01

BST14i2 Distributor, without fastening option, number of poles 2, rated voltage 50 V, rated current 3 A, number of inputs 1, number of outputs 2, color of coding/ contact carrier green



Commercial Art.No.	93.420.0653.0
EAN	4015573695580
Order Unit	1

certificates / approvals



Technical data

general

rated current	3 A
rated voltage	50 V
rated impulse voltage	0.8 kV
pollution degree	2
mechanical coding	yes
lockable	self-locking (unlocking by hand)
color of coding/ contact carrier	green
marking of poles	1+, 2-

model

number of inputs	1
number of outputs	2
type of fastening	no
degree of protection (IP)	IP20
type of distributor	T-distributor

material

housing material	polyamide
halogen free	yes
contact material	CuBe
fire load	0.035 kWh
insulation components continuous temperature	100 °C

surface finish	gilt
----------------	------

dimensions

length	37 mm
width	13 mm
height	34 mm

classification

ECLASS 11	
ECLASS 8.1	27440603
ETIM 9.0	EC002567
ETIM 8.0	EC002567
ETIM 7.0	EC002567
ETIM 6.0	EC002567
ETIM 5.0	EC002567
ETIM 4.0	EC002567

product compliance

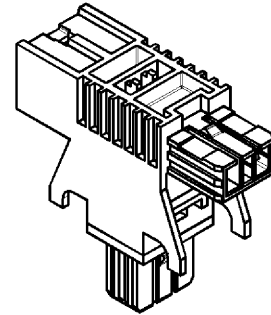
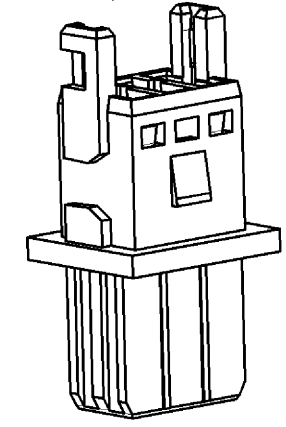
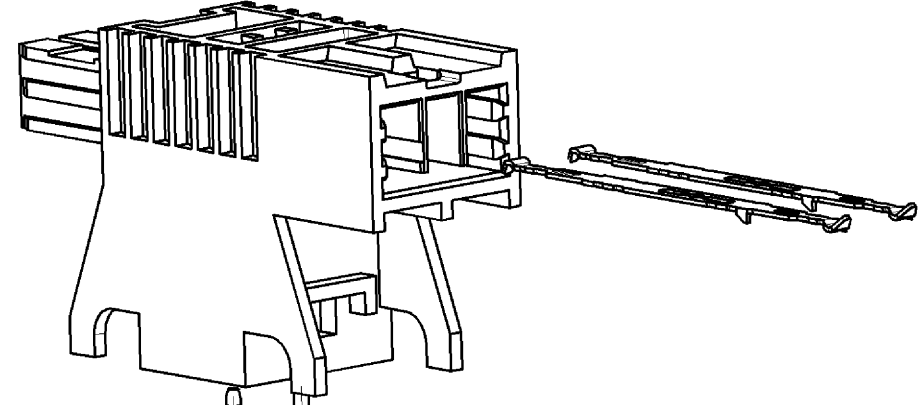
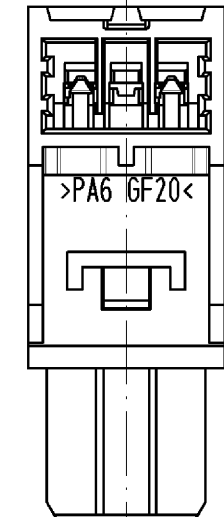
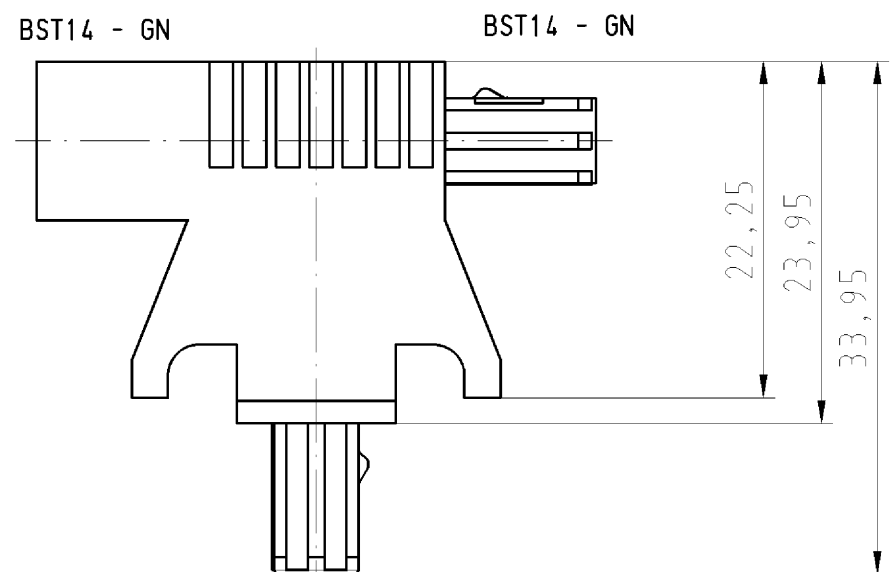
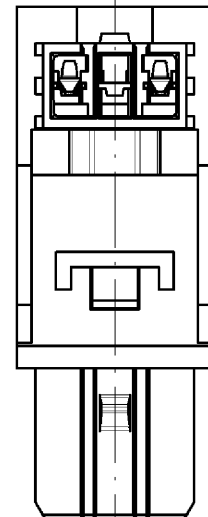
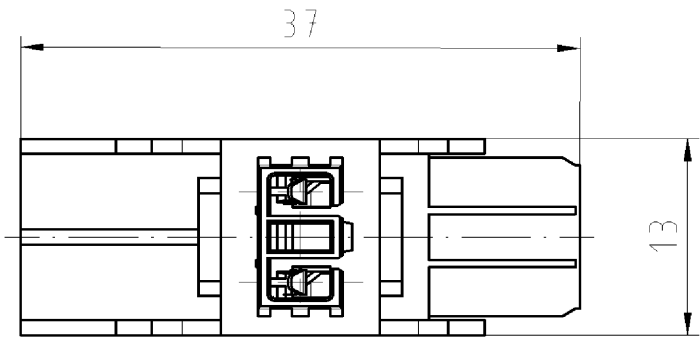
ROHS conformity status	compliant
REACH-SVHC conformity status	compliant

Fits with

Commercial Art.No.:	Article-type description:	Description:
93.421.0553.1	connector BST14I2F B1 ZR1 S MGN01	BST14i2 Connector, number of poles 2, female, connection type spring clamp connection, rated voltage 50 V, rated current 3 A, cable diameter 5.5 - 6.5 mm, color of coding/ contact carrier green
93.422.0553.1	connector BST14I2F S1 ZR1 S MGN01	BST14i2 Connector, number of poles 2, male, connection type spring clamp connection, rated voltage 50 V, rated current 3 A, cable diameter 5.5 - 6.5 mm, color of coding/ contact carrier green

These dimensions will be especially checked at delivery
 Only inspection dimensions
 With /E marked dimensions are only valid for internal use

Diese Maße werden bei Abnahme besonders geprüft
 Ausschließlich Prüfmaße
 Mit /E gekennzeichnete Maße sind nur für interne Zwecke gültig



M 1:1

Weitere Daten siehe Katalog
 further data see catalog

Typ/type: BST14I2V_2P1T_____GN01

Tolerierung nach DIN 7167/Tolerance system acc. to DIN 7167. (This DIN-standard describes the envelope principle. According to the envelope principle the deviations of form and parallelism are limited by the size tolerances).				ja/yes <input checked="" type="checkbox"/> Stoffverbots- und Deklarationsliste nach UU-TQM-05/03 ist einzuhalten. Conformity with Wieland document UU-TQM-05/03 (list of prohibited / declarable hazardous substances) to be declared!			
Freitoleranz nach - General tolerance		CAD - Zeichnung, keine manuellen Änderungen CAD - drawing, no manual modifications allowed		1. Verwendung: - First Use:		Blatt: 1 von 1 Sheet: of 1	
/		Werkstoff/Material		2009 Tag/Date		Name	
/ /				gezeichnet/drawn 30.06.		Treschan	
/ Maßstab/Scale				geprüft/checked			
/ 2:1				Nicht gepr./Stand. check			
/ Vol.		mm ³ Öl./Surf.		mm ³		Ersatz für/Replacement for: -	
/				Type		Benennung/Title	
/		wieland				VERTEILER	
Index Datum / Blatt Date / Sheet		Elektrische Verbindungen				distributor	
Änderung/Revision							

Weitergabe sowie Vervielfältigung dieses Dokuments, Verwertung und Mitteilung seines Inhalts sind verboten, soweit nicht ausdrücklich gestattet.
 The reproduction, distribution and utilization of this document as well as the communication of its contents to others without express authorization is prohibited.

934200653001K_4_CADW2036_treschan.2009-06-30T11:28:22 1.000