

## Data sheet

Commercial Art.No.: 92.232.4003.1

cable assembly GST18i3K1B- 15 40SW

GST18i3 connection cable, female - free end, number of poles 3, rated voltage 250 V, rated current 16 A, cable type H05VV-F, fire class Eca, total length 4 m, nominal cross section conductor 1.5 mm<sup>2</sup>, color of coding/ contact carrier black



Commercial Art.No.	92.232.4003.1
EAN	4015573357389
Order Unit	1

certificates / approvals



## Technical data

### general

rated current	16 A
rated voltage	250 V
rated impulse voltage	4 kV
pollution degree	2
mechanical coding	code 1
continuity resistor	46.1 mOhm
lockable	self-locking (unlocking by tool)
color of coding/ contact carrier	black
marking of poles	L, N, PE
color of housing inclusive strain relief	black

### model

nominal cross section conductor	1.5 mm <sup>2</sup>
degree of protection (IP)	IP40
wire strip length	9 mm
sheath strip length	37 mm
preparation of conductor ends	ultrasonically compressed wire ends
cable type	H05VV-F
cable color	black
cable diameter max.	8.3 mm
version of cable	female - free end
type of cord set	connection cable

version cable end 1	GST18i3 female
version cable end 2	free end

**material**

surface finish	tin-plated
halogen free	no
continuous temperature of cable	70 °C
insulation components continuous temperature	100 °C
fire load	1.599 kWh
fire class	Eca

**dimensions**

total length	4 m
--------------	-----

**classification**

ECLASS 11	
ECLASS 8.1	27440604
ETIM 9.0	EC002587
ETIM 8.0	EC002587
ETIM 7.0	EC002587
ETIM 6.0	EC002587
ETIM 5.0	EC002587
ETIM 4.0	EC002587

**product compliance**

ROHS conformity status	compliant/exempted
ROHS exceptions	III-6(c)
REACH-SVHC conformity status	Duty-To-Declare
REACH-SVHC substances	Lead
REACH-SVHC CAS numbers	7439-92-1

**Accessories**

Commercial Art.No.:	Article-type description:	Description:
05.587.3156.0	lock (G)ST18 WS	Locking device for cable to cable connection GST18i3-5, white
06.561.7853.0	mounting frame GST18i3 SW	Mounting frame to snap in GST18i3 connectors into a housing or furniture. Wall thickness: 1,5-2,5 mm. Holds GST18i3 connectors with screw or spring connection and pre- assembled cables.
05.561.3653.0	cover cap GST18i3VS B WS	Cover piece for female GST18i3, white
05.561.3653.1	cover cap GST18i3VS B SW	Cover piece for female GST18i3, black
05.564.5353.0	cover cap GST18i3/4/5 SW	Cover piece 12 pole black for female parts GST18i3-6
05.564.5353.2	cover cap GST18i3/4/5 WS	Cover piece 12 pole white for female parts GST18i3-6
05.594.4250.0	cover cap ST18/3B + GST18i3 ST WS	
05.594.4253.0	cover cap ST18/3B + GST18i3 ST WS	
05.587.3156.1	lock (G)ST18 SW	Locking device for cable to cable connection GST18i3-5, black
06.560.0300.0	mounting part GST18i3 SW	Lock system to provide accidental disconnection of "flying donnections" and to fix these connections to cable ladders or cable trays. Reduction of shearing forces on the strain reliefs Colour: black

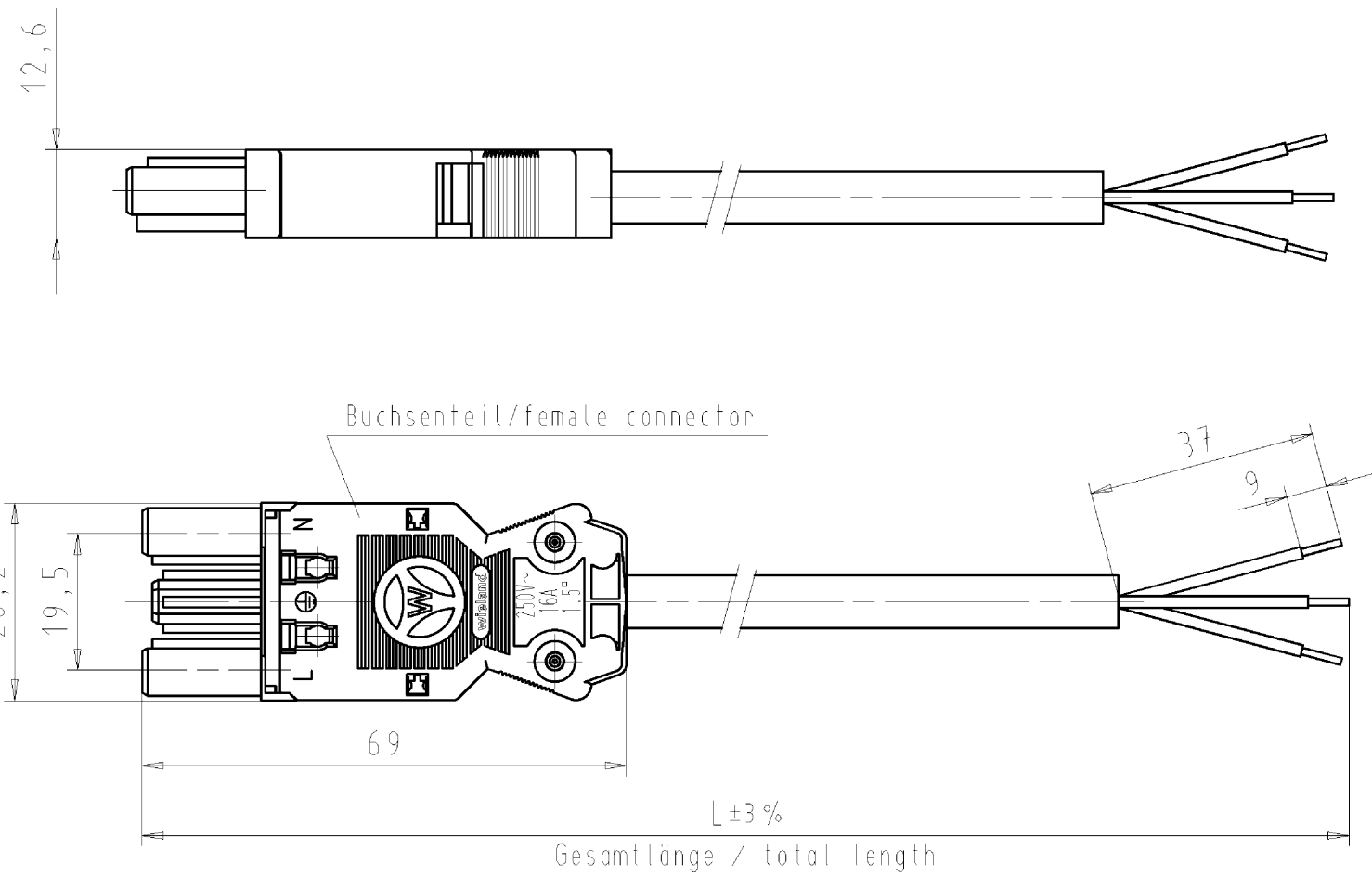
These dimensions will be especially checked at delivery  
Only inspection dimensions  
With /F marked dimensions are only valid for internal use

Diese Maße werden bei Abnahme besonders geprüft  
Ausschließlich Prüfmaße  
Mit /F gekennzeichnete Maße sind nur für interne Zwecke gültig

○

○

○



Kabel/cable H05VV-F3G1,5  
Farbe/colour: siehe Tabelle/see table

.F	Farbe colour	Codierung "X" <small>Buchse female</small>	Kabelfarbe cable colour
.1	schwarz black		schwarz black
.2	weiß white		weiß white
.3	grau grey		schwarz black
.5	rot red		schwarz black

Weitergabe sowie Vervielfältigung dieses Dokuments, Verwertung und Mitteilung seines Inhalts sind verboten, soweit nicht ausdrücklich gestattet.  
 The reproduction, distribution and utilization of this document as well as the communication of its contents to others without express authorization is prohibited.

Typ/type: GST1813K1B- 15 .. SW = schwarz/black  
 WS = weiß/white  
 GR01 = grau/grey  
 RT03 = rot/red

Weitere Daten siehe Katalog  
further data see catalog

Teile-Nr. part-no.	L	Beispiel (Farbe: schwarz) example (colour: black)	Typ type
92.232.XX03.F	XX in dm-Schritten	92.232.1003.1 = 10dm/L= 1000mm	GST1813K1B- 15 10SW
U2.232.XX03.F	XX in m-Schritten	U2.232.1203.1 = 12 m/L=12000mm	GST1813K1B- 15 X12SW
92.232.XX93.F	XX in dm-Schritten	92.232.1093.1 = 10dm/L= 1000mm	
<b>93.F = spezielle Verpackung und Etikettierung nach A 1960.000</b> <b>special packaging and label according to A 1960.000</b>			
Tolerierung Size ISO 14405 (E) / Tolerance system Size ISO 14405 (E). (This ISO-standard describes the envelope principle. According to the envelope principle the deviations of form and parallelism are limited by the size tolerances).		ja/yes <input checked="" type="checkbox"/> Stoffverbots- und Deklarationsliste nach UU-TQM-05/03 ist einzuhalten. Conformity with Wieland document UU-TQM-05/03 (list of prohibited / declarable hazardous substances) to be declared!	
Freitoleranz nach - General tolerance		CAD - Zeichnung, keine manuellen Änderungen CAD - drawing, no manual modifications allowed	1. Verwendung: - First Use:
		Blatt: 1 von 1 Sheet: of 1	
		Zeichnung Nr./Drawing No. Index	
		T 92.232.0203.1 01K b	
		Maße in mm/Dimensions are in mm	
		Ersatz für/Replacement for: -	
		Type Benennung/Tittle	
		PRE-ASSEMBLED CABLE KONFEKT_LEITUNG	
		Buchse/female - freies Ende/free end 1,5qmm Crimpausführung/crimpversion K1 250V	
		Änderung/Revision	

922320203101K\_2\_CADW3027 Deutsch 2013-01-10T07:59:45 1.000