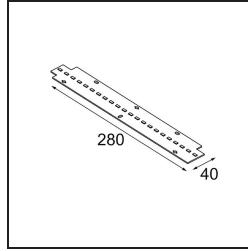
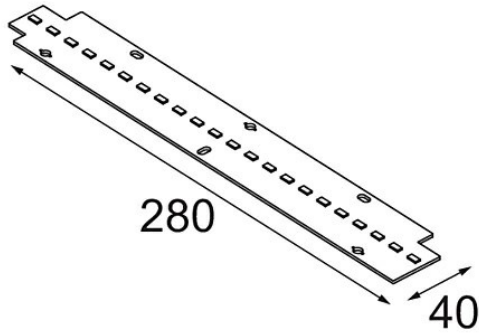


Date \_\_\_\_\_  
Customer \_\_\_\_\_  
Project \_\_\_\_\_  
Type \_\_\_\_\_

*SLD50 LEDLINE 3000K (5) dali/pushdim DI + LENS 50°*



**Specifications**

Material	98564105
Light Source Type	LED
Colour Temperature	3000K
Number of Light Sources	5
Light Direction	Down
IP Rating	20
Dimming Protocol	DALI, Push-Dim
Gross weight (g)	0.001