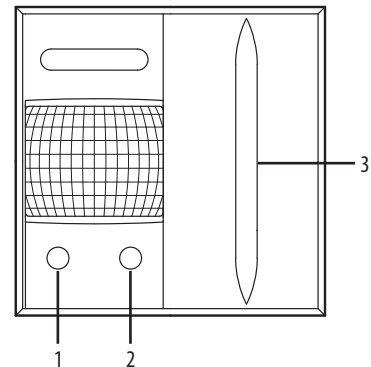


IR switch

Description

The passive infrared switch can be used to automatically switch on devices when people pass by (for example, the light switches on without operating the switch or button). In order to optimise performance, it is possible to adjust the device activation threshold depending on the amount of natural light, and set a switch-off delay after the last movement detected.

The operating range may be increased by installing several devices in different positions, with parallel outputs. The volume coverage is ensured by 3 levels of A, B and C rays, tilted at +2, -6 and -30 degrees in relation to the installation axis, and extends for 4 metres.



Technical data

Power supply:	230 Vac $\pm$ 10% 50/60 Hz
Controllable loads:	6A resistive, incandescence lamps and ferromagnetic transformer 2 A cos $\phi$ 0.5 inductive loads
Switching-on time adjustment:	from 30 seconds - 10 minutes
Twilight adjustment:	from 5 lux to excluded
Working temperature:	5 - 40 °C
Can be controlled using external pushbuttons	
0-A-I switch for operation mode:	manual, using external pushbuttons (0) automatic and using external pushbuttons (A) always on (I)

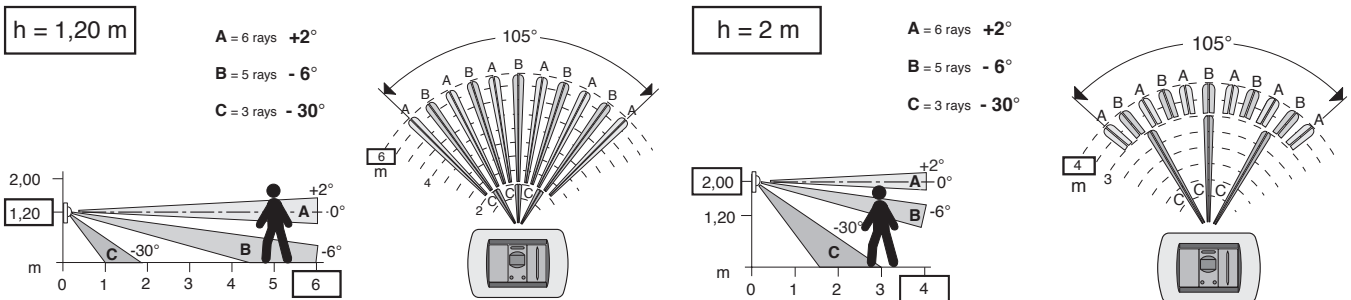
Legend

1. Twilight adjustment
2. Switching off delay adjustment
3. Selector switch for operating type

Dimensional data

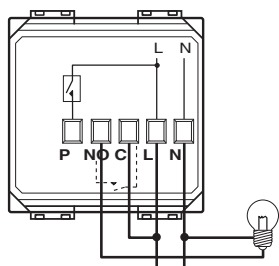
2 flush mounted modules

Coverage field



Wiring diagrams

..4432 - basic diagram



..4432 - diagram with pushbuttons (IR + timer)

