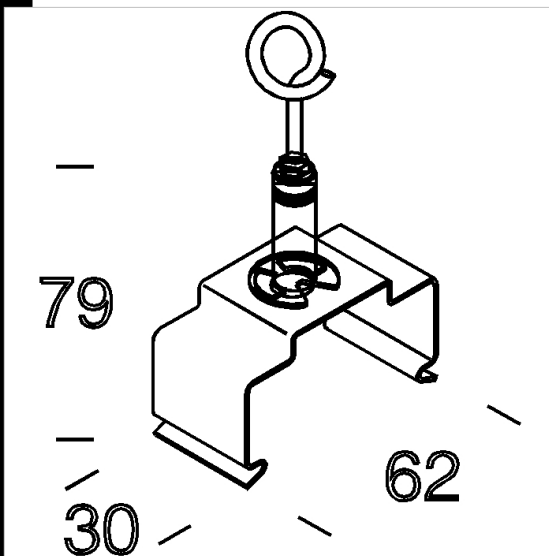


Download
DXF 2D
- d6052.dxf



6052 chain suspension

In steel. For chain suspension. With track connection acc 6051. At least 2 pcs. per track.



Code	Kg	WTot	Colour
132928-00	0.24	0 W	INOX

Products



- 6000 Rapid System - power



- 6502 Rapid system - 2-lamps



- 6402 Rapid system - 1-lamp



- 6600 Techno System - 90°



- 6601 Techno System - 25° asymmetric - CRI 90



- 6602 Techno System - 25° bi-asymmetric - CRI 90



- 6603 Techno System - 30°x80° elliptical - CRI 90



- 6604 Techno System - 60° wide-beam - CRI 90



- 6605 Techno System - wide-beam semi-spherical diffuser - CRI 90



- 6606 Techno System - CRI 80 - UGR<22

The reported luminous flux is the flux emitted by the light source with a tolerance of ± 10% compared to the indicated value. The W tot column indicates the total wattage absorbed by the system without exceeding 10% of the indicated