

ECA 100 ipro H



Short description

Two-step small room fan with fully automatic humidity system, DN 100

Application examples

Bathroom, Shower, Sauna vestibule, Utility room

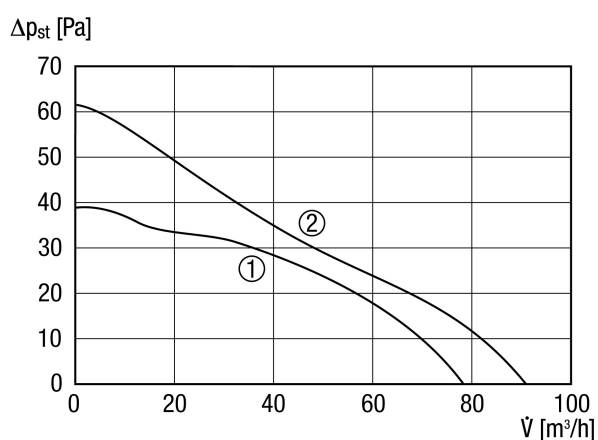
Article number 0084.0203

Technical data

Model	Humidity control
Air flow volume	78 m ³ /h / 92 m ³ /h
Speed controllable	–
Reversing capacity	–
Type of voltage	Alternating current
Rated voltage	230 V
Frequency	50 Hz
Nominal output	6 W / 8 W
I _{max}	0,06 A
Degree of protection	IP X5
Mains cable	3 / 1,5 mm ²
Installation site	Ceiling / Wall
Type of installation	Surface-mounted
Installation position	any
Material	Synthetic material
Colour	Traffic white, similar to RAL 9016
Weight	0,7 kg
Nominal size	100 mm
Airstream temperature at I _{Max}	40 °C
Overrun time	8 min / 17 min / 25 min
Start delay	0 s / 50 s / 90 s / 120 s
Sound pressure level	27 dB(A) / 32 dB(A) (Distance 3 m, Free-field conditions)
Range	A
EAN	4012799842033

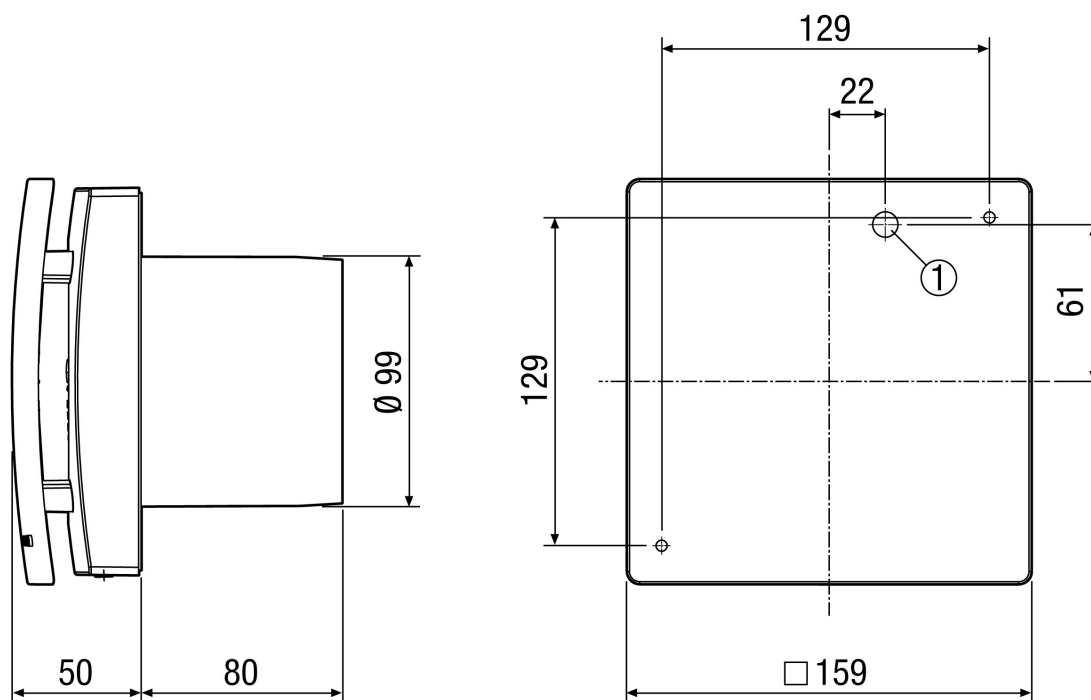
ECA 100 ipro H

Characteristic curve



- ① Performance level 1
- ② Performance level 2

Dimensioned drawing [mm]



- ① Cable entry